

Service Schematics

NOKIA 2720 FOLD

RM-519

Introduction

IMPORTANT:

This document is intended for use by authorized NOKIA service centers only.

“Service Schematics” was created with focus on customer care.
The purpose of this document is to provide further technical repair information for NOKIA mobile phones on Level 3/4 service activities.
It contains additional information such as e.g. “Component finder”.

Saving process time and improving the repair quality is the aim of this document.
It is to be used additionally to the service manual and other training
or service information such as Service Bulletins.

While every endeavour has been made to ensure the accuracy of this document, some errors may exist. If the reader finds any errors, NOKIA shall be notified in writing.

Please send E-Mail to: TrainingAndVendor.Development@nokia.com

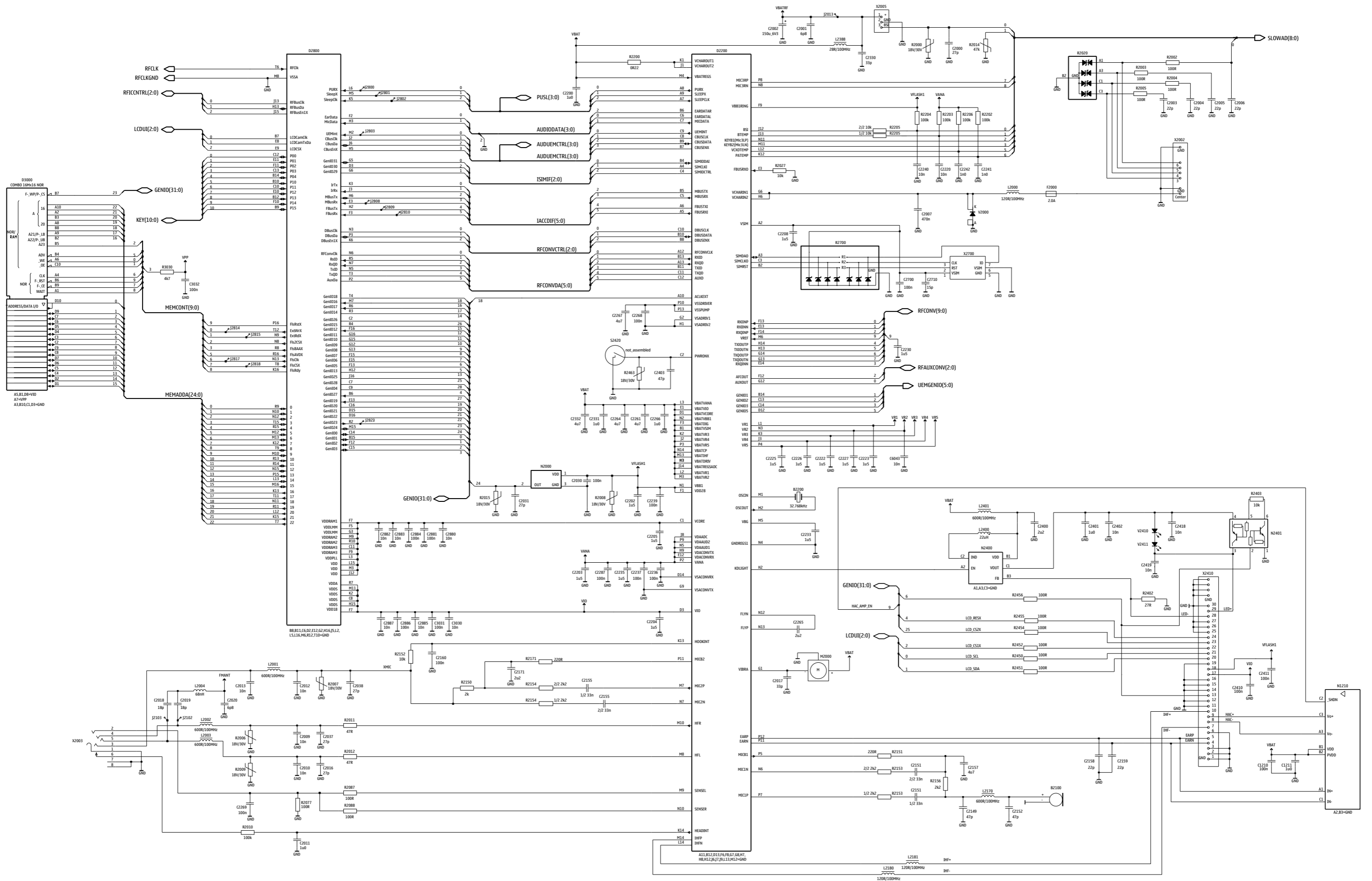


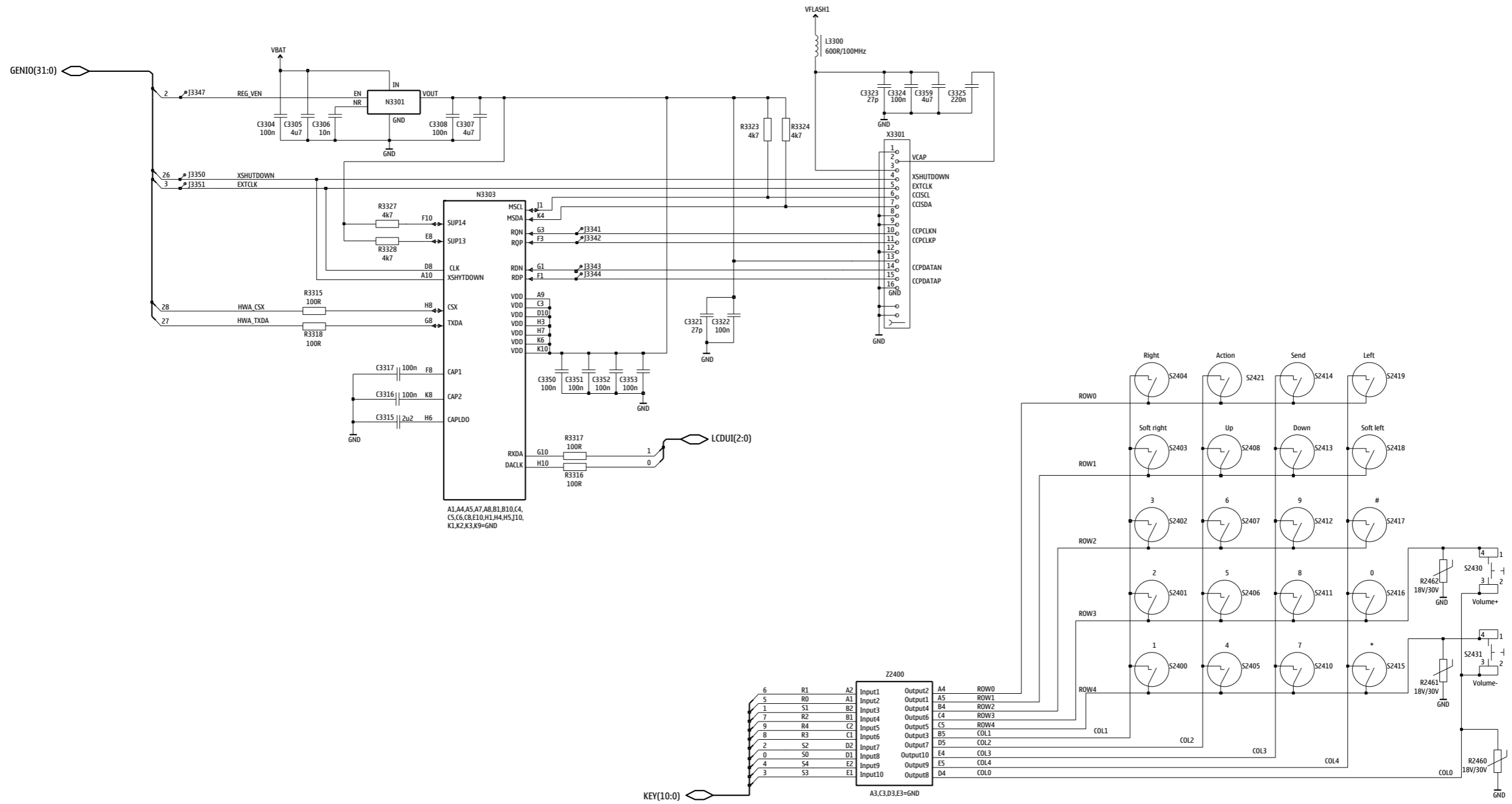
Table of Contents

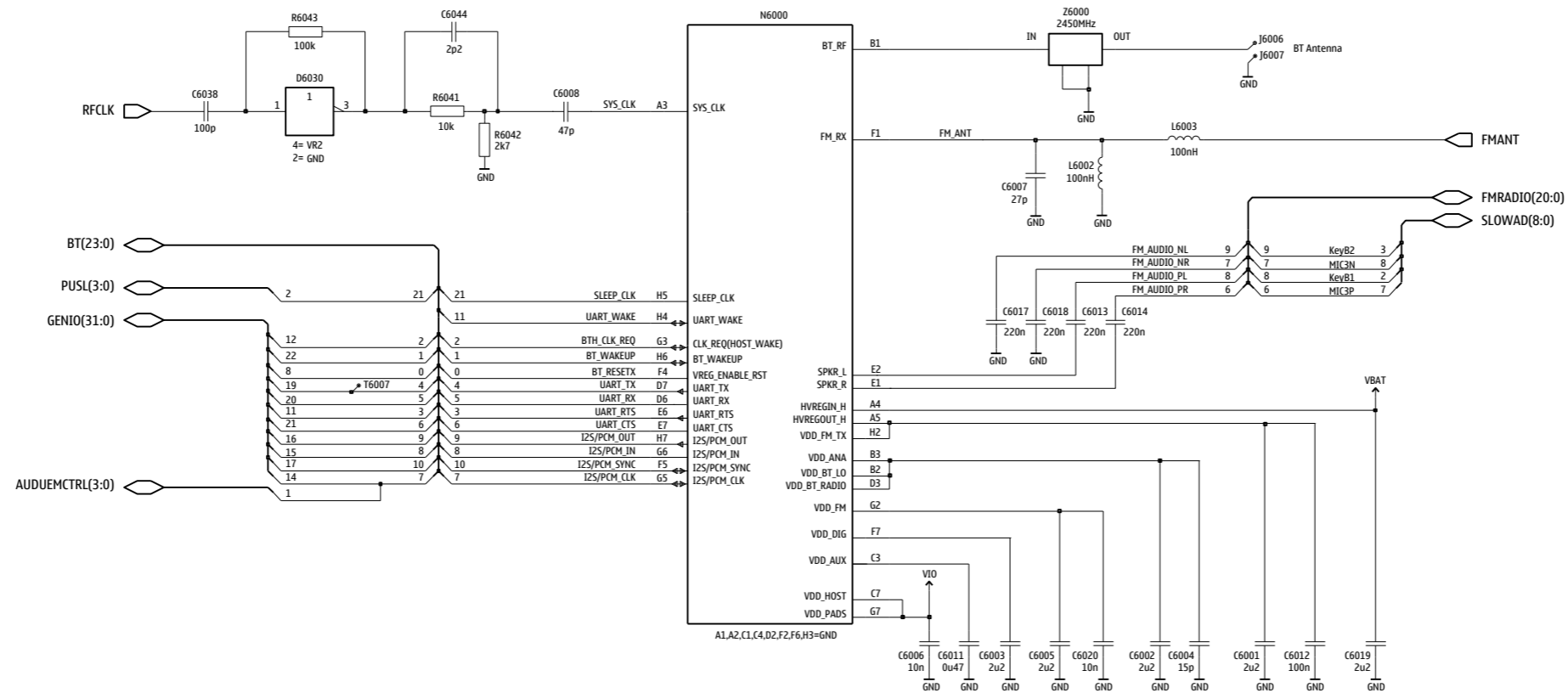
Front page	1
UPP, LITEPLUS, Audio	2
UPPHWA, Keyboard	3
BTFM	4
RF part	5
Component Finder	6

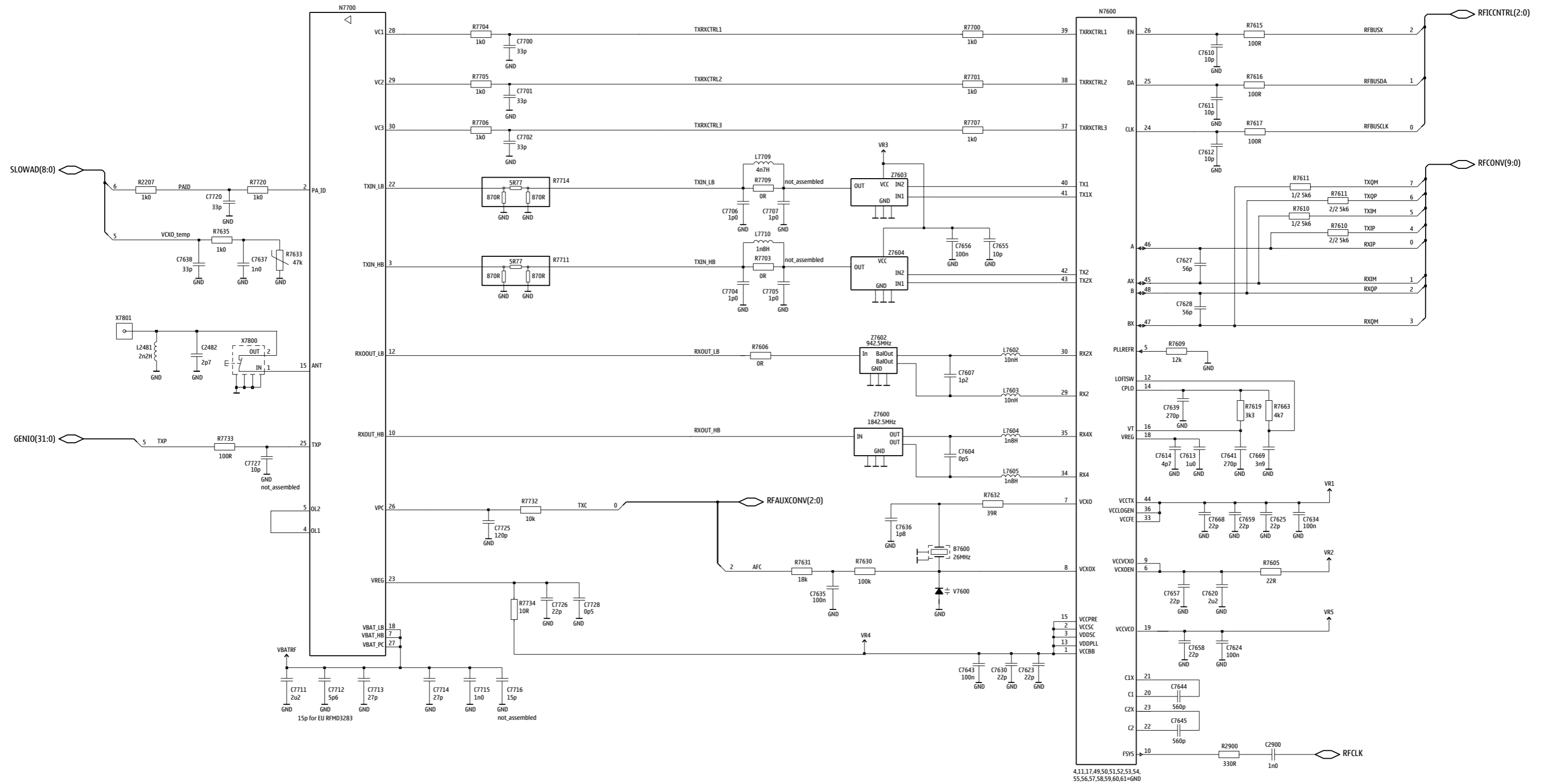
Copyright © NOKIA

This material, including documentation and any related computer programs is protected by copyright, controlled by NOKIA. All rights are reserved. Copying, including reproducing, modifying, storing, adapting or translating any or all of this material requires the prior written consent of NOKIA. This material also contains company confidential information, which may not be disclosed to others without the prior written consent of NOKIA.









A	C2240	L3	C6006	H4	C7728	N8	R2087	F8	R7705	M7	
A7002	O4	C2241	L2	C6007	H3	D	R2088	F9	R7706	M7	
A7003	N7	C2242	L2	C6008	G3	D2200	K3	R2150	L2	R7707	N4
A7004	G5	C2261	J2	C6011	G4	D2800	J5	R2151	J2	R7711	N6
A7005	G3	C2264	L2	C6012	H3	D3000	L5	R2152	L2	R7714	N8
A7006	K4	C2265	L2	C6013	H3	D6030	G3	R2153	K2	R7720	N6
B	C2266	L2	C6014	H3	F	R2154	K2	R7732	M8		
B2100	E3	C2267	K2	C6017	H3	F2000	D3	R2156	J2	R7733	M8
B2200	I3	C2268	K2	C6018	H3	L	R2171	L2	R7734	N8	
B7600	N2	C2269	F8	C6019	G4	L2000	F4	R2200	I3	S	
C	C2287	L4	C6020	H3	L2001	D9	R2202	L2	S2430	G2	
C2000	P6	C2330	P8	C6038	G3	L2002	F8	R2203	L3	S2431	I2
C2001	P8	C2331	J4	C6043	G3	L2003	F8	R2204	L3	V	
C2002	Q6	C2332	J3	C6044	G4	L2004	F7	R2205	L3	V2000	F4
C2003	D3	C2400	M4	C7604	O5	L2170	F3	R2206	L2	V2410	Q4
C2004	C3	C2401	M3	C7607	P5	L2180	L3	R2207	M3	V2411	Q7
C2005	D4	C2402	M3	C7610	P5	L2181	L3	R2402	L3	V7600	O2
C2006	C3	C2403	F4	C7611	P5	L2388	P6	R2403	M2	X	
C2007	F4	C2410	C7	C7612	P5	L2400	M4	R2450	C7	X2000	F7
C2009	G8	C2411	C7	C7613	P4	L2401	M4	R2451	C7	X2002	D2
C2010	G8	C2418	Q3	C7614	P3	L2481	Q9	R2452	C7	X2003	E8
C2011	D7	C2419	Q8	C7620	P2	L3300	D4	R2454	D7	X2005	P7
C2012	D9	C2482	Q9	C7623	P3	L6002	H3	R2455	D7	X2410	C8
C2013	D9	C2700	I6	C7624	P4	L6003	H3	R2456	D7	X2700	I8
C2016	G8	C2710	I6	C7625	O3	L7602	O4	R2460	H2	X3301	C4
C2017	F4	C2880	I5	C7627	N3	L7603	P4	R2461	H2	X7800	P9
C2018	F7	C2881	I5	C7628	N3	L7604	O4	R2462	G2	X7801	R8
C2019	F8	C2882	L4	C7630	O3	L7605	O4	R2463	F3	Z	
C2020	F7	C2883	I4	C7634	P5	L7709	N4	R2700	I6	Z2400	I5
C2030	G9	C2884	I4	C7635	O2	L7710	N3	R2900	P2	Z6000	G3
C2031	G9	C2885	I5	C7636	O2	M	R3030	L4	Z7600	O5	
C2037	G8	C2886	I5	C7637	M8	M2000	E5	R3315	H5	Z7602	P5
C2038	D9	C2887	L4	C7638	M8	N	R3316	H5	Z7603	N4	
C2149	F3	C2900	P2	C7639	P3	N2000	G9	R3317	H5	Z7604	N3
C2151	K2	C3030	M5	C7641	P3	N2400	M3	R3318	H5		
C2152	F3	C3031	M5	C7643	N3	N2401	M3	R3323	F5		
C2155	K2	C3032	L4	C7644	P4	N3301	F6	R3324	G5		
C2157	J2	C3304	F6	C7645	P4	N3303	G5	R3327	H5		
C2158	G6	C3305	F6	C7655	N4	N6000	G3	R3328	H6		
C2159	G6	C3306	F6	C7656	N3	N7600	O3	R6041	G4		
C2160	L2	C3307	F5	C7657	P2	N7700	O7	R6042	G4		
C2171	L2	C3308	F5	C7658	P4	R	R6043	G3			
C2200	J2	C3315	G5	C7659	O4	R2000	P7	R7605	P2		
C2202	J3	C3316	H5	C7668	O4	R2002	C3	R7606	P5		
C2203	J2	C3317	H6	C7669	P2	R2003	D3	R7609	O2		
C2204	I4	C3321	D4	C7700	M7	R2004	C3	R7610	L3		
C2205	J4	C3322	D4	C7701	M7	R2005	D3	R7611	L3		
C2208	I4	C3323	C4	C7702	M7	R2006	F8	R7615	P5		
C2220	M3	C3324	C4	C7704	N3	R2007	D9	R7616	P5		
C2222	J2	C3325	C4	C7705	N3	R2008	G9	R7617	P5		
C2223	J3	C3350	H6	C7706	N4	R2009	F8	R7619	P3		
C2225	J2	C3351	H5	C7707	N4	R2010	D7	R7630	O2		
C2226	I3	C3352	G5	C7711	O8	R2011	G8	R7631	P2		
C2227	I2	C3353	F6	C7713	O8	R2012	G8	R7632	P2		
C2230	J2	C3359	D4	C7714	M7	R2014	L2	R7633	N8		
C2233	J2	C6001	G3	C7716	O6	R2015	G9	R7635	M8		
C2235	K2	C6002	G3	C7720	N6	R2020	D3	R7663	P3		
C2236	L4	C6003	G4	C7725	M8	R2027	F9	R7700	N4		
C2237	L4	C6004	G3	C7726	N8	R2068	F9	R7701	N4		
C2239	J3	C6005	H3	C7727	M8	R2077	F9	R7704	M7		

